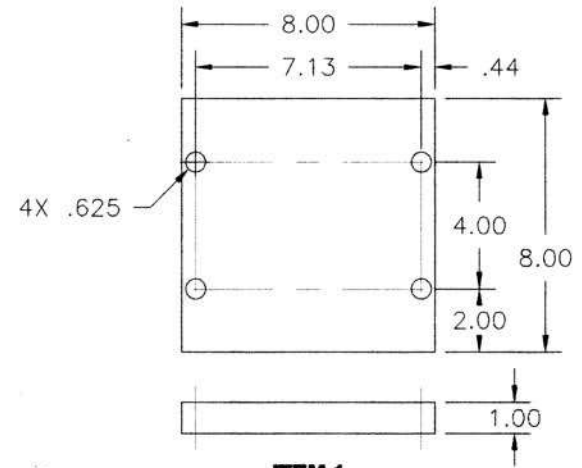
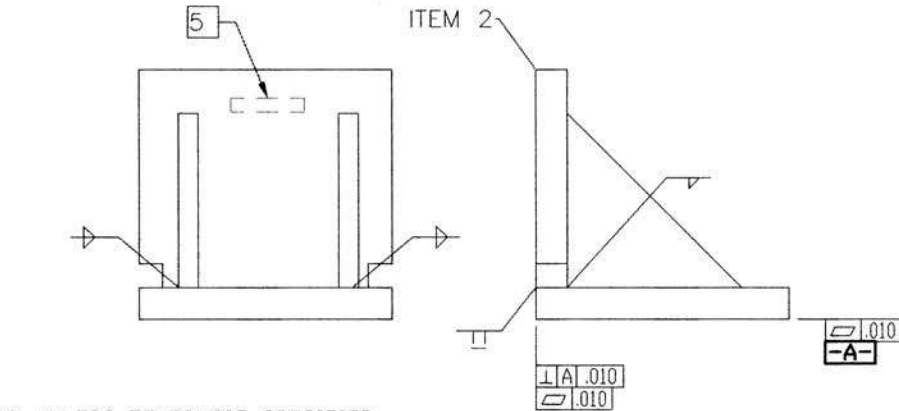


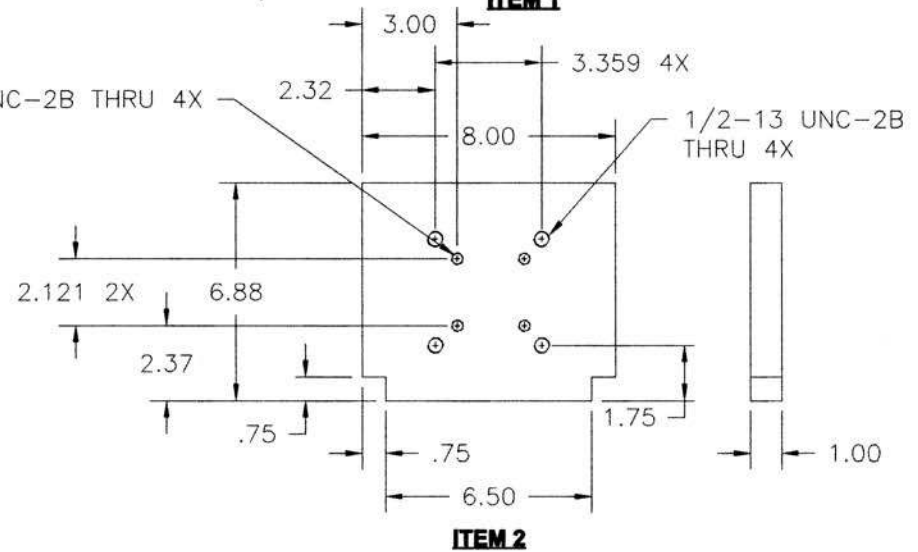
ITEM 3
2 REQ'D



ITEM 1



3/8-16 UNC-2B THRU 4X



ITEM 2

NOTES: UNLESS OTHERWISE SPECIFIED

- 1 MATERIAL; STEEL, 1018.
2. ALL DIM'S APPLY AFTER FINISH.
3. DEBURR AND BREAK ALL SHARP EDGES .005 R MAX.
- 4 FINISH; BLACK ZINC PER ASTM-B633, TYPE II CLASS FE/ZMB, ALL SURFACES.
- 5 INK STAMP WITH PART NO. AND REV. APPROX WHERE SHOWN.

REV	DATE	ECN 2333	Dr.
			INIT
UNLESS OTHERWISE SPECIFIED:		PRODUCT	
UNITS: INCH		BMX	
GEN. TOL. X ±0.5			
FRACTIONS ±0.01 X ±0.05			
APPEARANCE 6.3 XX ±0.01			
FINISH SPEC: 4			
HEAT TREAT		MB-3 MTG BRACKET 100/2500/5000F	
MATERIAL: 1			
SIZE		DRAWING ID: NO:	SHEET
A		D 062128 C	1 OF 1

THIS DRAWING CONTAINS PROPRIETARY INFORMATION WHICH MAY NOT BE RELEASED IN ANY FORM TO ANY PARTY WITHOUT PRIOR AUTHORIZATION

APPR: *Spivak* 12/24/07
 DR: *West* 12/26/07
 G. CASTLE 7/29/02